

GARD 12

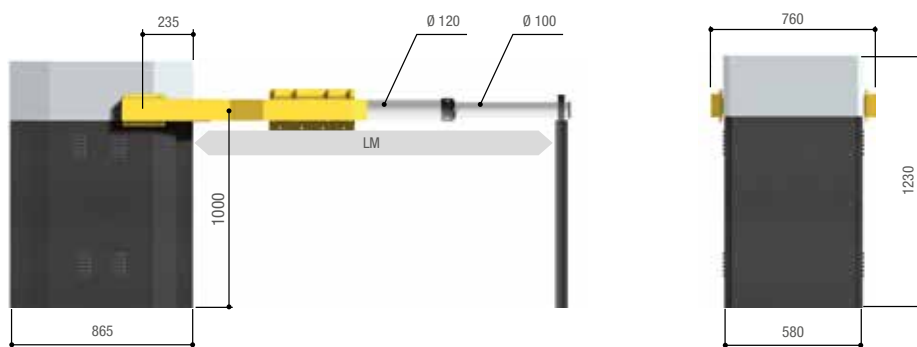
Net clearance up to 12 m



Specific solution for special applications

- Two 24 V DC gearmotors installed on the same axis to offer greater drive torque.
- Balancing with modular counterweights, it guarantees a safe and reliable movement of the boom.
- Sturdy structure with galvanized steel cabinet with rough finish.

Dimensions (mm)



LM = Max. net clearance width

Operational limits

MODELS	G12000K
Max. net clearance width (m)	12

Technical characteristics

MODELS	G12000K
Protection rating (IP)	54
Power supply (V - 50/60 Hz)	230 AC
Power supply to motor (V)	24 DC
Absorption (A)	15 Max.
Power (W)	300
Opening time at 90° (s)	10
Duty/cycle (%)	50
Torque (Nm)	600
Operating temperature (°C)	-20 ÷ +55