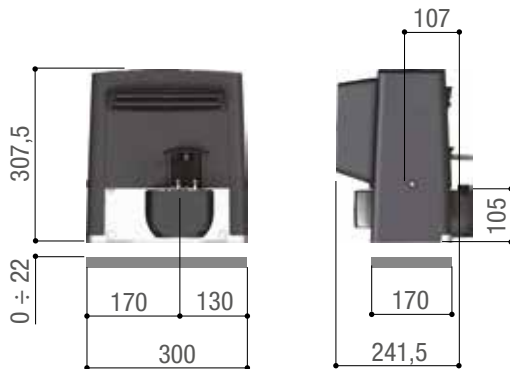




Solution for sliding gates at private homes

- Encoder-based movement control.
- Set up for installation of magnetic limit switches.
- Control board with terminal blocks, display and storage for up to 250 users.
- The safety inputs can be configured to directly control the 8k2Ω resistive sensitive-safety edges.
- Self-diagnosing safety devices.
- Developed with CONNECT technology for remote digital control via gateway or locally via CAME KEY.

Dimensions (mm)



Operational limits

MODELS	801MS-0020	801MS-0030
Max. length of leaf (m)	14	14
Max. weight of leaf (kg)	400	800
Pinion module	4	4

Technical characteristics

MODELS	801MS-0020	801MS-0030
Protection rating (IP)	44	44
Power supply (V - 50/60 Hz)	230 AC	230 AC
Power supply to motor (V)	230 AC	230 AC
Absorption (A)	2,7	2,5
Power (W)	560	520
Maneuvering speed (m/min)	10,5	10,5
Duty/cycle (%)	30	30
Thrust (N)	600	800
Operating temperature (°C)	-20 ÷ +55	-20 ÷ +55
Motor's heat protection (°C)	150	150